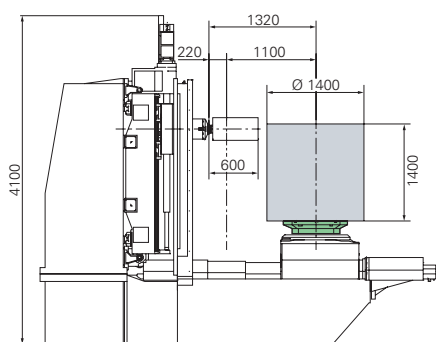
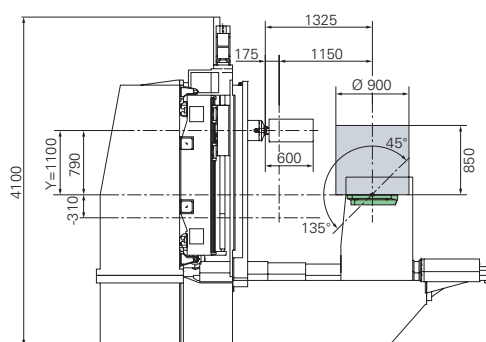


(mm)

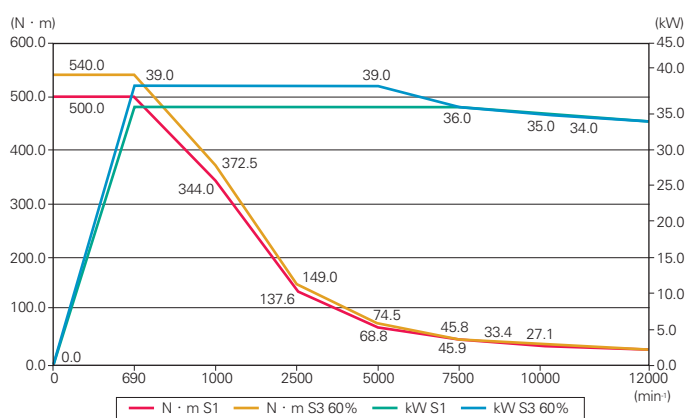
4-axis



5-axis



Spindle speed torque / Output diagram



12,000 min⁻¹ spindle

Max. spindle speed	12,000 min ⁻¹
Max. speed with standard tool ISO SK 50	10,500 min ⁻¹
Max. speed with max. torque	690 min ⁻¹
Nominal power S1 (100%)	36 kW
Nominal torque S1 (100%)	500 N·m
Max. load thrust	1,500 daN